



COMPRESSED AIR TREATMENT **REDEFINED**



OIL-X

COMPRESSED AIR FILTERS

Parker domnick hunter OIL-X; a new series of compressed air filters, taking efficiency to a different level.

Built on Parker's worldwide expertise in filtration, the OIL-X range has been developed to ensure consistent outstanding air quality, guaranteed for 12 months - and third-party validated to meet ISO 8573-1.

MARKET LEADING LOW DIFFERENTIAL PRESSURE

Combining the unique filter element with a specially designed advanced air flow management system, the Parker domnick hunter OIL-X range is engineered to not only deliver air quality in accordance with ISO 8573-1 classifications, but it does so with an extremely low differential pressure - ensuring maximum efficiency and productivity.

› Unique filter element

Specially constructed for reduced air flow velocity, reduced pressure loss, increased dirt holding capacity, and improved efficiency. Includes a 12-month air quality guarantee.

› Flow management system

Specially engineered 'bell mouth', with 90-degree elbow, flow distributor and conical flow diffuser, to promote a consistent, optimum air flow.

› Filter housing

Designed to allow easy maintenance and element replacement, and covered by a 10-year guarantee.

› Flexible connections

A wide range of port sizes and filter connections, for added flexibility.

› Epoxy coating

Finished with alocrom corrosion protection and a tough, dry powder epoxy coating for a high quality feel.

Product Selection

Grades	Element Type	Model Size / Port Connection		Thread Connection	Drain Type	Differential Pressure Indicator*
AA	P	030	G	G	F	I
<ul style="list-style-type: none"> WS AO AA ACS 	P	<ul style="list-style-type: none"> 010 A (¼") 010 B (⅜") 010 C (½") 015 C (½") 020 C (½") 020 D (¾") 025 D (¾") 025 E (1") 030 G (1 ½") 035 G (1 ½") 040 H (2") 045 I (2 ½") 050 I (2 ½") 055 I (2 ½") 055 J (3") 060 K (4") 	<ul style="list-style-type: none"> G (BSPP) N (NPT) 	<ul style="list-style-type: none"> F (Float) M (Manual) 	<ul style="list-style-type: none"> X (None) I (DPI) 	

* AO/AA only available with differential pressure indicator (I) WS/ACS only available without differential pressure indicator (X)

OIL-X Water Separators

Technical Data

Filtration Grade	Filter Type	Drain Type	Min Operating Pressure		Max Operating Pressure		Min Operating Temperature		Max Operating Temperature	
			bar g	psi g	bar g	psi g	°C	°F	°C	°F
WSP010-WSP050	Water Separator	Float	1	15	16	232	2	35	80	176
WSP060	Water Separator	Float	1	15	16	232	2	35	66	150

Flow Rates

Stated flows are for operation at 7 bar g (102 psi g) with reference to 20°C, 1 bar (a), 0% relative water vapour pressure.

Model	Port Connection	Flow Rates			
		L/s	m³/min	m³/hr	scfm
WSP010A □ FX	¼"	10	0.6	36	21
WSP010B □ FX	⅜"	10	0.6	36	21
WSP010C □ FX	½"	10	0.6	36	21
WSP015C □ FX	½"	40	2.4	144	85
WSP020D □ FX	¾"	40	2.4	144	85
WSP025D □ FX	¾"	110	6.6	396	233
WSP025E □ FX	1"	110	6.6	396	233
WSP030G □ FX	1 ½"	110	6.6	396	233
WSP035G □ FX	1 ½"	350	21.0	1260	742
WSP040H □ FX	2"	350	21.0	1260	742
WSP045I □ FX	2 ½"	350	21.0	1260	742
WSP050I □ FX	2 ½"	800	48.0	2880	1695
WSP055J □ FX	3"	800	48.0	2880	1695
WSP060K □ FX	4"	1000	60.0	3600	2119

□ = Replace with thread connection G (BSPP) or N (NPT)

Correction Factors

Please apply these correction factors to flows other than 7 bar g (102 psi g) .

Line Pressure		Correction Factor Pressure (CFP)
bar g	psi g	
1	15	4
2	29	2.63
3	44	2.00
4	58	1.59
5	73	1.33
6	87	1.14
7	100	1.00
8	116	0.94
9	131	0.89
10	145	0.85
11	160	0.82
12	174	0.79
13	189	0.76
14	203	0.73
15	218	0.71
16	232	0.68

Applying Correction Factors

To correctly select a filter model, the flow rate of the filter must be adjusted for the minimum operating pressure of the system.

1. Obtain the minimum operating pressure and maximum compressed air flow rate at the inlet of the filter.
2. Select the correction factor for minimum operating pressure from the CFP table (always round down e.g for 5.3 bar, use 5 bar correction factor)
3. Calculate the minimum filtration capacity : Minimum Filtration Capacity = Compressed Air Flow Rate x CFP
4. Using the minimum filtration capacity, select a filter model from the flow rate tables above (filter selected must have a flow rate equal to or greater than the minimum filtration capacity)

OIL-X Coalescing & Dry Particulate Filters

Technical Data

Filtration Grade	Filter Type	Drain Type	Min Operating Pressure		Max Operating Pressure		Min Operating Temperature		Max Operating Temperature	
			bar g	psi g	bar g	psi g	°C	°F	°C	°F
A0/AA	Coalescing	Float	1	15	16	232	2	35	80	176
A0/AA	Dry Particulate	Manual	1	15	20	290	2	35	100	212
ACS	Oil Vapour Removal	Manual	1	15	20	290	2	35	50	122

Flow Rates

Stated flows are for operation at 7 bar g (102 psi g) with reference to 20°C, 1 bar (a), 0% relative water vapour pressure.

Model	Port Connection	Flow Rates				Replacement Elements
		L/s	m³/min	m³/hr	scfm	
GRADE P010A □(*)□	¼"	10	0.6	36	21	P010 GRADE
GRADE P010B □(*)□	¾"	10	0.6	36	21	P010 GRADE
GRADE P010C □(*)□	½"	10	0.6	36	21	P010 GRADE
GRADE P015C □(*)□	½"	20	1.2	72	42	P015 GRADE
GRADE P020C □(*)□	½"	30	1.8	108	64	P020 GRADE
GRADE P020D □(*)□	¾"	30	1.8	108	64	P020 GRADE
GRADE P025D □(*)□	¾"	60	3.6	216	127	P025 GRADE
GRADE P025E □(*)□	1"	60	3.6	216	127	P025 GRADE
GRADE P030G □(*)□	1 ½"	110	6.6	396	233	P030 GRADE
GRADE P035G □(*)□	1 ½"	160	9.6	576	339	P035 GRADE
GRADE P040H □(*)□	2"	220	13.2	792	466	P040 GRADE
GRADE P045I □(*)□	2 ½"	330	19.8	1188	699	P045 GRADE
GRADE P050I □(*)□	2 ½"	430	25.9	1548	911	P050 GRADE
GRADE P055I □(*)□	2 ½"	620	37.3	2232	1314	P055 GRADE
GRADE P055J □(*)□	3"	620	37.3	2232	1314	P055 GRADE
GRADE P060K □(*)□	4"	1000	60.0	3600	2119	P060 GRADE

(*) = Replace with (F) when ordering A0/AA coalescing filters, (M) when ordering A0/AA dry particulate filters or (M) when ordering ACS oil vapour removal filters

Correction Factors

Please apply these correction factors to the flow at pressures other than 7 bar g (102 psi g).

Line Pressure		Correction Factor Pressure (CFP)
bar g	psi g	
1	15	2.65
2	29	1.87
3	44	1.53
4	58	1.32
5	73	1.18
6	87	1.08
7	100	1.00
8	116	0.94
9	131	0.88
10	145	0.84
11	160	0.80
12	174	0.76
13	189	0.73
14	203	0.71
15	218	0.68
16	232	0.66
Manual drain filters only		
17	248	0.64
18	263	0.62
19	277	0.61
20	290	0.59

Applying Correction Factors

To correctly select a filter model, the flow rate of the filter must be adjusted for the minimum operating pressure of the system.

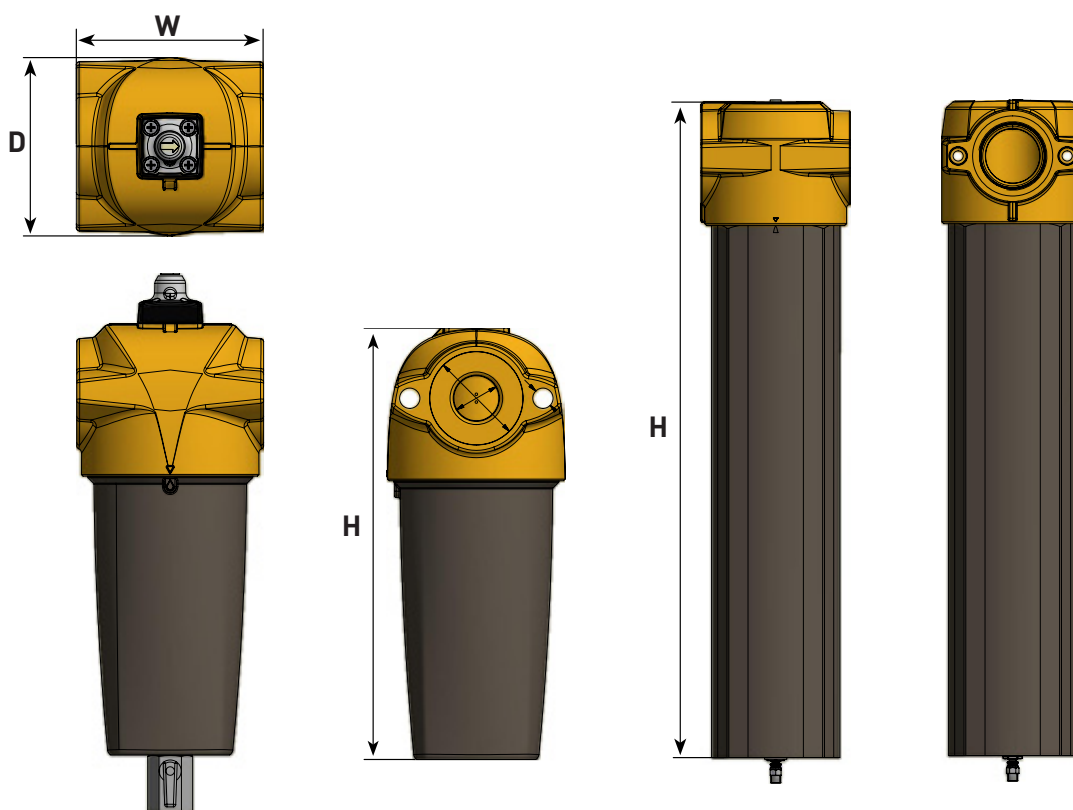
1. Obtain the minimum operating pressure and maximum compressed air flow rate at the inlet of the filter.
2. Select the correction factor for minimum operating pressure from the CFP table (always round down e.g for 5.3 bar, use 5 bar correction factor)
3. Calculate the minimum filtration capacity : Minimum Filtration Capacity = Compressed Air Flow Rate x CFP
4. Using the minimum filtration capacity, select a filter model from the flow rate tables above (filter selected must have a flow rate equal to or greater than the minimum filtration capacity)

Filtration Performance

Filtration Grade	WS	A0	AA	ACS
Filter Type	Bulk Liquid Removal	Coalescing & Dry Particulate	Coalescing & Dry Particulate	Oil Vapour Removal
Particle Removal (inc water & oil aerosols)	N/A	Down to 1 micron	Down to 0.01 micron	N/A
Max Remaining Oil Content at 21°C (70°F)	N/A	0.5mg/m³ 0.5 ppm(w)	0.01mg/m³ 0.01 ppm(w)	0.003 mg/m³ 0.003 ppm(w)
Filtration Efficiency	>92%	99.925%	99.9999%	N/A
Test Methods Used	ISO8573.9	ISO8573.2 ISO8573.4 ISO12500-1	ISO8573.2 ISO8573.4 ISO12500-1	ISO8573.5
ISO12500-1 Inlet Challenge Concentration	N/A	40mg/m³	10mg/m³	N/A
Initial Dry Differential Pressure	N/A	<70 mbar (1.0psi)	<70 mbar (1.0psi)	<140 mbar (2.0psi)
Initial Saturated Differential Pressure	N/A	<125 mbar (1.8psi)	<125 mbar (1.8psi)	N/A
Change Element Every	N/A	12 months	12 months	When Oil Vapour is Detected
Precede with Filtration Grade	N/A	WS (for bulk liquid)	A0	AA

Weight & Dimensions

Model	Height (H)		Width (W)		Depth (D)		Weight	
	mm	ins	mm	ins	mm	ins	kg	lbs
010A	180	7.09	76	2.99	65	2.56	0.84	1.86
010B	180	7.09	76	2.99	65	2.56	0.84	1.84
010C	180	7.09	76	2.99	65	2.56	0.82	1.81
015C	238	9.37	89	3.5	84	3.31	1.16	2.55
020C	238	9.37	89	3.5	84	3.31	1.17	2.58
020D	238	9.37	89	3.5	84	3.31	1.44	3.19
025D	277	10.9	120	4.72	115	4.53	2.14	4.71
025E	277	10.9	120	4.72	115	4.53	2.69	5.92
030G	367	14.45	120	4.72	115	4.53	3.04	6.70
035G	440	20.9	164	6.46	157	6.18	6.90	15.21
040H	532	24.5	164	6.46	157	6.18	7.30	16.09
045I	532	24.5	164	6.46	157	6.18	7.10	15.65
050I	654	29.3	192	7.56	183	7.20	10.30	22.71
055I	844	36.8	192	7.56	183	7.20	15.90	33.05
055J	844	36.8	192	7.56	183	7.20	15.30	33.73
060K	847	33.3	420	16.54	282	11.10	44.50	98.11



For more information please contact your local sales office or visit www.parker.com/gsf

Parker has a continuous policy of product development and although the company reserves the right to changes specifications, it attempts to keep customers informed of any alterations.

© 2017 Parker Hannifin Corporation. All rights reserved.

Catalogue: PISOILX-03-EN



Parker Hannifin Ltd.
 Tachbrook Park Drive
 Tachbrook Park,
 Warwick, CV34 6TU
 United Kingdom
 Tel.: +44 (0) 1926 317 878
 Fax: +44 (0) 1926 317 855
parker.uk@parker.com
www.parker.com/gsf



FILCO, spol. s r.o.
 Dvorská 464/103
 CZ-503 11 Hradec Králové
 tel.: +420 495 436 233
info@filco.cz,
www.filco.cz

Váš lokální distributor Parker