

Hypersep

centrifugal water separation



HIROSS
Compressed Air Treatment

HYPERSEP: EFFICIENT CONDENSATE REMOVAL

Industrial compressed air incorporates large quantities of liquid condensate. The removal of this condensate is of paramount importance, in order to protect the compressed air network, facilitate the operation of downstream equipment and reduce the system's overall operating and maintenance costs. Hypersep represents a highly effective solution to this need, removing more than 99% of the liquid condensate present in the compressed air network.

A full range of models, available in numerous configurations, caters for all user needs.

Hypersep is easy to install and operate, and requires no maintenance and no external power source.

Hypersep is perfectly suited for installation after the air compressor, as well as for point of use installation in numerous niche applications.



BENEFITS

- 99% condensate removal
- reduces system maintenance & downtime
- Hiroshield protection

EASY TO USE



Sight glass

Hypersep is very compact and easy to install and is offered with a full range of threaded and flanged air connections. Hypersep needs no external power source, and it works automatically without any maintenance requirements. The sight glass, standard up to STH021, allows for an easy verification of correct operation, whilst the patented seal mechanism prevents Hypersep from being accidentally opened during operation.

FULL RANGE OF ACCESSORIES



Full range of condensate drains

Hypersep is offered both with standard horizontal air inlets, as well as with space saving vertical air inlets. Wall mounting kits and counterflange kits allow for easy installation.

A full range of complementary Hiross Condensate drains covers all user needs. Stainless steel versions, as well as models for high pressure applications or higher air flows, are available on request.

RELIABLE OPERATION



Hiroshield surface protection

Threaded models feature the unique Hiroshield treatment on the housing's inside and outside, protecting it from the rigors of industry.

Hypersep has no moving components and requires no spare parts, leading to extreme operating reliability together with low operating costs.

Hypersep features PED approval, with other approvals available on request.

HIGHEST PERFORMANCE LEVELS



Vertical air inlet configuration

Hypersep's unique diffuser design offers a condensate removal efficiency in excess of 99%.

Hypersep even removes rust and other bulk impurities, significantly improving the performance of filters and other downstream equipment. The result is reduced maintenance and downtime.

Hypersep's low pressure drop configuration keeps system energy costs at a minimum.

CHOOSE YOUR HYPERSEP ...

103612/04-03 A/2.000/RO

| MODEL | Air flow | | Air connections | | Max. press. (barg) | Dimensions (mm) | | | Weight (kg) |
|-------|----------------------|-----|-----------------|--------|--------------------|-----------------|---|---|-------------|
| | m ³ /min. | cfm | inlet | outlet | | A | B | C | |

THREADED MODELS

| | | | | | | | | | |
|--------|------|------|--------|--------|----|-----|-----|----|------|
| STH001 | 0,9 | 32 | 3/8" | 3/8" | 16 | 89 | 267 | 24 | 1,1 |
| STH002 | 2,1 | 74 | 1/2" | 1/2" | 16 | 89 | 267 | 24 | 1,1 |
| STH003 | 3,0 | 106 | 3/4" | 3/4" | 16 | 89 | 267 | 24 | 1,1 |
| STH006 | 5,5 | 194 | 1" | 1" | 16 | 109 | 367 | 34 | 2,2 |
| STH009 | 9,0 | 318 | 1 1/4" | 1 1/4" | 16 | 109 | 367 | 34 | 2,2 |
| STH013 | 12,5 | 441 | 1 1/2" | 1 1/2" | 16 | 109 | 367 | 34 | 2,2 |
| STH021 | 21,0 | 742 | 2" | 2" | 16 | 150 | 550 | 41 | 4,3 |
| STH040 | 40,0 | 1624 | 2 1/2" | 2 1/2" | 16 | 188 | 733 | 56 | 12,5 |
| STH046 | 46,0 | 2760 | 3" | 3" | 16 | 188 | 733 | 56 | 12,5 |

FLANGED HORIZONTAL MODELS

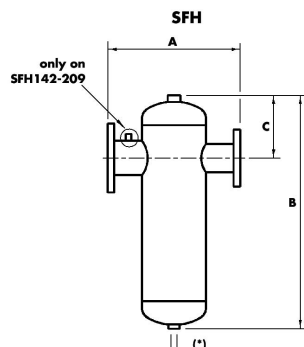
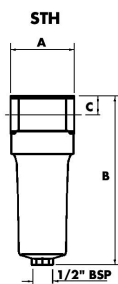
| | | | | | | | | | |
|--------|-------|------|-------|-------|----|-----|------|-----|-----|
| SFH029 | 29,4 | 1038 | DN80 | DN80 | 16 | 400 | 720 | 200 | 28 |
| SFH030 | 30,0 | 1059 | DN100 | DN80 | 16 | 400 | 720 | 200 | 29 |
| SFH037 | 36,6 | 1292 | DN100 | DN100 | 16 | 460 | 880 | 230 | 48 |
| SFH038 | 38,0 | 1342 | DN125 | DN100 | 16 | 460 | 880 | 230 | 49 |
| SFH066 | 65,6 | 2317 | DN125 | DN125 | 16 | 550 | 980 | 260 | 55 |
| SFH067 | 67,0 | 2366 | DN150 | DN125 | 16 | 550 | 980 | 260 | 56 |
| SFH088 | 88,4 | 3122 | DN150 | DN150 | 16 | 570 | 1060 | 290 | 82 |
| SFH089 | 89,0 | 3143 | DN200 | DN150 | 16 | 570 | 1060 | 290 | 85 |
| SFH097 | 97,1 | 3429 | DN200 | DN200 | 16 | 660 | 1160 | 320 | 126 |
| SFH142 | 141,9 | 5011 | DN250 | DN200 | 10 | 680 | 1255 | 351 | 148 |
| SFH180 | 179,5 | 6339 | DN300 | DN200 | 10 | 750 | 1455 | 390 | 160 |
| SFH209 | 209,1 | 7384 | DN350 | DN200 | 9 | 830 | 1655 | 430 | 205 |

FLANGED VERTICAL MODELS

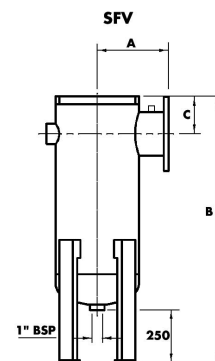
| | | | | | | | | | |
|--------|-------|------|-------|-------|----|-----|------|-----|-----|
| SFV029 | 29,4 | 1038 | DN80 | DN80 | 16 | 200 | 904 | 134 | 29 |
| SFV037 | 36,6 | 1292 | DN100 | DN100 | 12 | 230 | 1051 | 151 | 50 |
| SFV066 | 65,6 | 2317 | DN125 | DN125 | 12 | 275 | 1131 | 171 | 57 |
| SFV088 | 88,4 | 3122 | DN150 | DN150 | 12 | 285 | 1195 | 185 | 84 |
| SFV097 | 97,1 | 3429 | DN200 | DN200 | 12 | 330 | 1295 | 215 | 90 |
| SFV142 | 141,9 | 5011 | DN250 | DN200 | 10 | 340 | 1392 | 242 | 120 |
| SFV180 | 179,5 | 6339 | DN300 | DN200 | 10 | 375 | 1575 | 265 | 145 |
| SFV209 | 209,1 | 7384 | DN350 | DN200 | 9 | 415 | 1763 | 293 | 185 |

Performances refer to air at FAD 20°C / 1 bar A, and at the following working conditions: air suction 25°C / 60%RH, 7 bar g working pressure, 35°C compressed air inlet temperature, 7kPa pressure drop.

STH in aluminium. SFH/SFV in carbon steel. Models with other materials or for high pressure applications available on request.



(*) 029-038 = 1/2" BSP
066 - 209 = 1" BSP



This is to certify that the Quality Management System of domnick hunter hiross S.p.A. has been approved by Lloyd's Register Quality Assurance to the following Quality Management System Standards: ISO9001:2000 - Certificate LRC 160001

Data contained in this publication is to be considered as indicative only. The manufacturer reserves the right to modify data without prior notice.

The Hiross product range: Aftercoolers, Separators, Filters, Refrigeration Dryers, Adsorption Dryers, Condensate Drains, Oil/Water Separators, Water Chillers.

FILCO, spol. s.r.o.
Dvorská 464
503 11 Hradec Králové
tel.: 495 436 233
info@filco.cz
www.filco.cz

HIROSS

Compressed Air Treatment

HIROSS is a registered trademark of HIROSS S.p.A.