

HBA Filter Housing

- industrial air / gas

- Flow efficient range of air / gas housings
- Designed to maximise flow and minimise pressure drop
- Designed specifically for the food and beverage industry



Specification

Materials of Construction

- Housing: 316L Stainless Steel
- Seals: Silicone FDA
- Vent / Drain Seals: PTFE

Surface Finish

- Internal: As Welded
 - External: Polished 0.8 µm Ra
- All finishes pickled & passivated.

Welding

All assembly welds are full penetration. All welds are crevice and undercut free. Weld finish & detail drawings available upon request.

Certification

Supplied as standard with vessel inspection certificate.

Material Test Certification

EN10204 3.1 supplied upon request.

Design Code

Housings designed in accordance with the European Council Pressure Equipment Directive (PED) 97/23/EC and the UK statutory Pressure Equipment Regulations (PER) 1999 N° 2001.

PED / PER conformity assessments based on Fluid Group 2 Gas (harmless) including steam. Only housings over PS.V 50 bar / litres bear the CE mark.

Design Basis

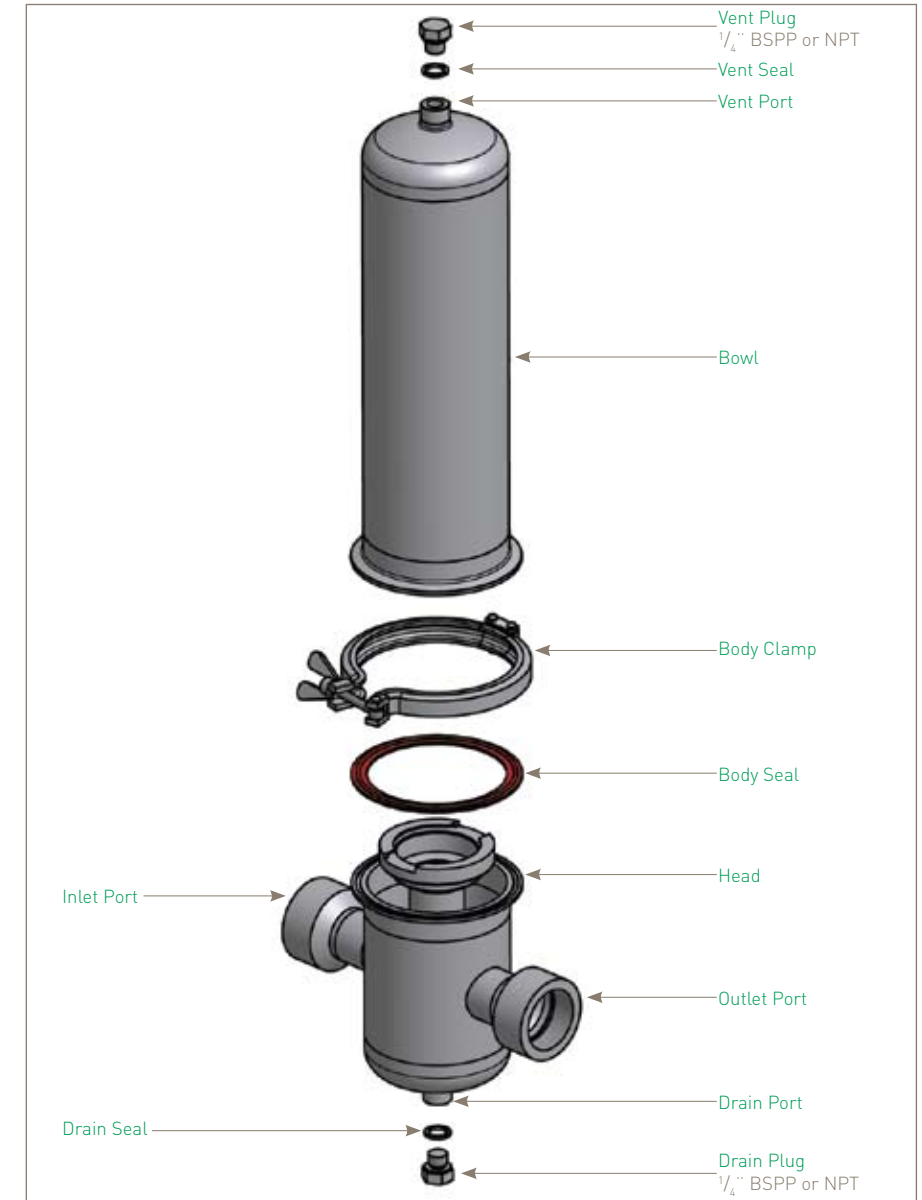
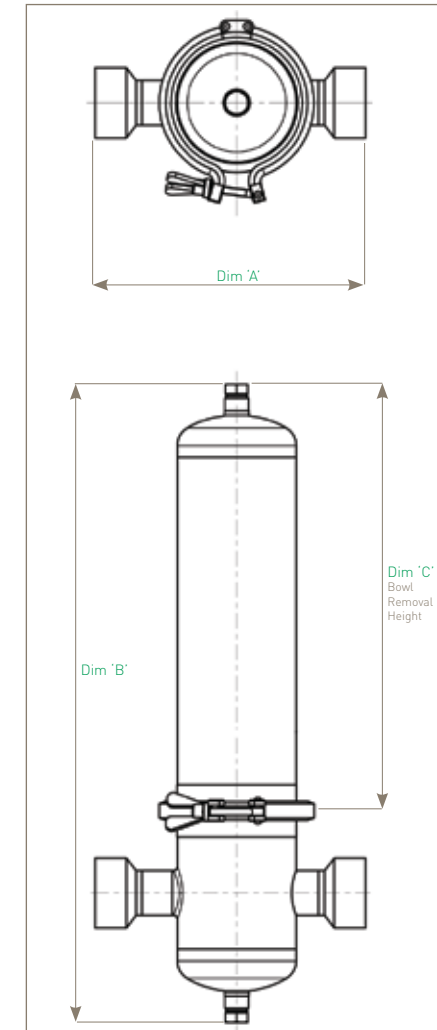
ASME VIII Division 1.

Working Condition PED 97/23/EC			Maximum Pressure		
Fluid Group	State	Temperature	01K	011	012
Non Dangerous	Gas / Vapour	150 °C [302 °F]	10.00 barg [145.03 psig]	10.00 barg [145.03 psig]	10.00 barg [145.03 psig]
Dangerous	Gas / Vapour	150 °C [302 °F]	8.00 barg [116.03 psig]	8.00 barg [116.03 psig]	8.00 barg [116.03 psig]
PED Conformity Assessment Category			SEP	SEP	CAT I
Volume (litres)			2.5	3.7	5.6

Physical Characteristics

Bowl Height	Dimensions (mm)			Weight (Kg)		
	'A'	'B'	'C'	Bowl	Head	Total
5" (125 mm)	231	396	223	0.9	1.9	3.6
10" (250 mm)	231	546	342	1.5	1.9	4.1
20" (500 mm)	231	796	590	2.5	1.9	5.2

Dimensions are based on illustration shown (HBACE011YB-C-S). For accurate dimensions, please contact Parker domnick hunter.



Ordering Information

HBA 01 - -

Code	Vessel Class	Code	Length (Nominal)	Code	Connection Size	Code	Standard	Code	Cartridge	Code	Seal
CE	Standard	K	5" (125 mm)	Y	1 1/2" (38.1 mm)	B	BSPP	C	226	S	Silicone
		1	10" (250 mm)			N	NPT				
		2	20" (500 mm)								

Note: For accessories, i.e. gauges, please contact Parker domnick hunter - Process Division for full availability.

For additional features, Parker domnick hunter offer this housing as part of its Standard PLUS Range. Please see HBA® datasheet for more information.

HBA⁺ Filter Housing

- industrial air / gas



- Flow efficient range of air / gas housings
- Available in 4 different housing classes: ATEX, CE, High Pressure and Oxygen Service
- Beverage, pharmaceutical and industrial surface finishes available
- A number of inlet / outlet port connections
- Wide range of vent and drain options

Specification

Materials of Construction

- Housing: 316L Stainless Steel
- Seals: EPDM FDA, PTFE FDA, Silicone FDA, Viton FDA

Surface Finish

- Industrial Finish
 - Internal: As Welded, Pickled & Passivated
 - External: Polished 0.8 µm Ra
- Beverage Finish
 - Internal: Polished 0.4 µm Ra
 - External: Polished 0.25 µm Ra
- Pharmaceutical Finish
 - Internal: Polished 0.4 µm Ra and Electropolished
 - External: Polished 0.25 µm Ra

Welding

All assembly welds are full penetration. All welds are crevice and undercut free. Weld finish & detail drawings available upon request.

Design Code

Housings designed in accordance with the European Council Pressure Equipment Directive (PED) 97/23/EC and the UK statutory Pressure Equipment Regulations (PER) 1999 N° 2001.

Design Basis

ASME VIII Division 1. ATEX 94/9/EC (where applicable)

ATEX Working Condition PED 97/23/EC				Maximum Pressure				
Fluid Group	State	Temperature		01K	011	012	013	014
Non Dangerous	Gas / Vapour	135 °C (275 °F)		10.00 barg (145.03 psig)	10.00 barg (145.03 psig)	10.00 barg (145.03 psig)	10.00 barg (145.03 psig)	10.00 barg (145.03 psig)
Dangerous	Gas / Vapour	135 °C (275 °F)		8.00 barg (116.03 psig)	8.00 barg (116.03 psig)	8.00 barg (116.03 psig)	6.60 barg (95.72 psig)	5.30 barg (76.87 psig)
PED Conformity Assessment Category				SEP	CAT I	CAT I	CAT I	CAT I
Volume (litres)				2.5	3.7	5.6	7.5	9.4

CE Working Condition PED 97/23/EC				Maximum Pressure				
Fluid Group	State	Temperature		01K	011	012	013	014
Non Dangerous	Gas / Vapour	150 °C (302 °F)		10.00 barg (145.03 psig)	10.00 barg (145.03 psig)	10.00 barg (145.03 psig)	10.00 barg (145.03 psig)	10.00 barg (145.03 psig)
Dangerous	Gas / Vapour	150 °C (302 °F)		8.00 barg (116.03 psig)	8.00 barg (116.03 psig)	8.00 barg (116.03 psig)	6.60 barg (95.72 psig)	5.30 barg (76.87 psig)
PED Conformity Assessment Category				SEP	CAT I	CAT I	CAT I	CAT I
Volume (litres)				2.5	3.7	5.6	7.5	9.4

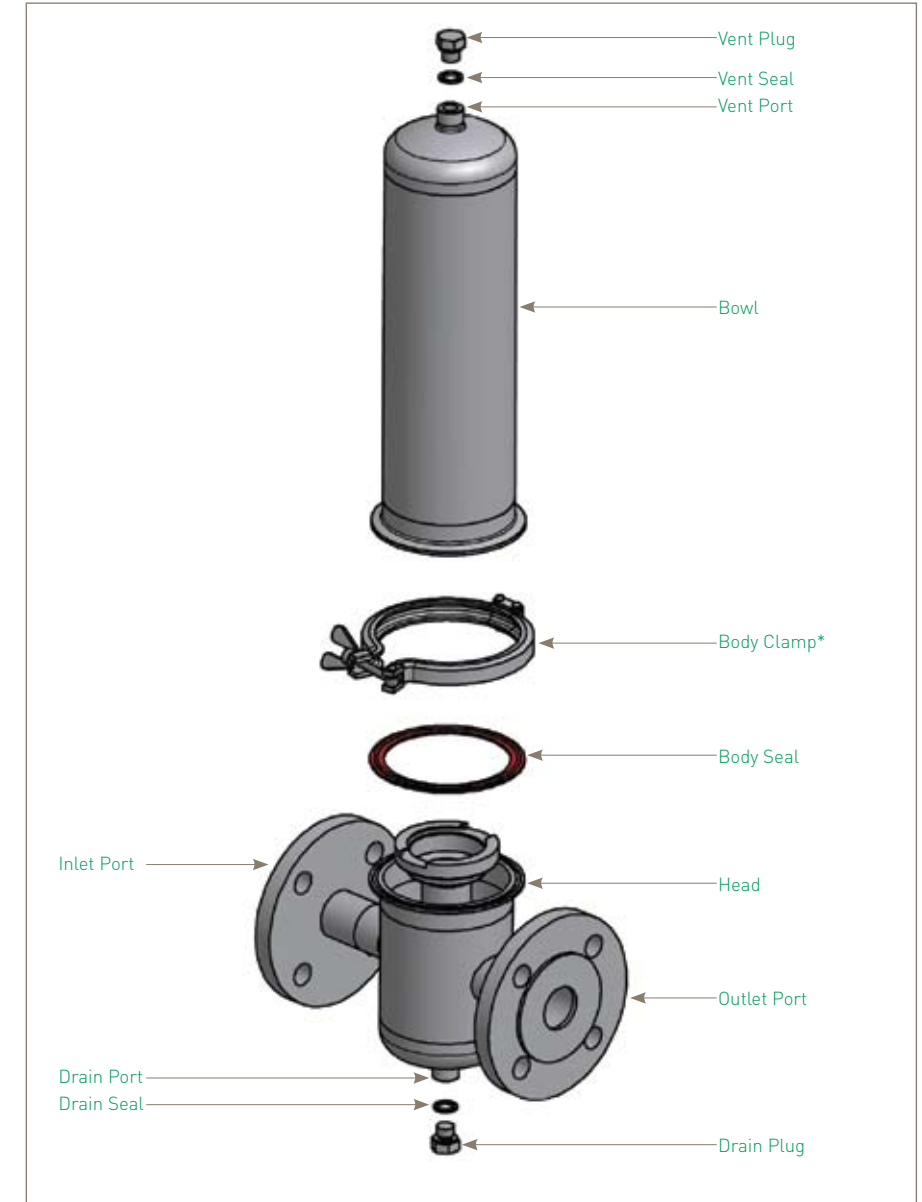
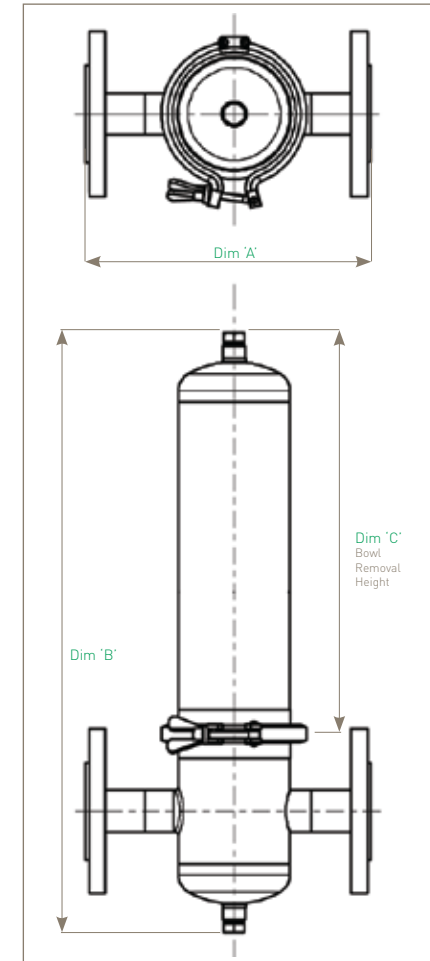
High Pressure Working Condition PED 97/23/EC				Maximum Pressure				
Fluid Group	State	Temperature		01K	011	012	013	014
Non Dangerous	Gas / Vapour	205 °C (401 °F)		16.00 barg (232.06 psig)	16.00 barg (232.06 psig)	16.00 barg (232.06 psig)	16.00 barg (232.06 psig)	16.00 barg (232.06 psig)
PED Conformity Assessment Category				SEP	CAT I	CAT I	CAT I	CAT I
Volume (litres)				2.5	3.7	5.6	7.5	9.4

Oxygen Service Working Condition PED 97/23/EC				Maximum Pressure				
Fluid Group	State	Temperature		01K	011	012	013	014
Dangerous	Gas / Vapour	150 °C (302 °F)		8.00 barg (116.03 psig)	8.00 barg (116.03 psig)	8.00 barg (116.03 psig)	6.60 barg (95.72 psig)	5.30 barg (76.87 psig)
PED Conformity Assessment Category				SEP	CAT I	CAT I	CAT I	CAT I
Volume (litres)				2.5	3.7	5.6	7.5	9.4

Physical Characteristics

Bowl Height	Dimensions (mm)			Typical Weight (Kg)		
	'A'	'B'	'C'	Bowl	Head	Total
5" (125 mm)	259	398	223	1.0	5.4	7.0
10" (250 mm)	259	548	342	1.6	5.4	7.6
20" (500 mm)	259	798	590	2.6	5.4	8.6
30" (750 mm)	259	1043	838	3.6	5.4	9.6
40" (1000 mm)	259	1293	1068	4.6	5.4	10.6

Dimensions shown are for a vessel with 1 1/2" BS4504 DIN2633 ports, 1/2" BSPP vent and drain. For other formats, please contact Parker domnick hunter.



*Double bolted clamp required for HP and PTFE seal options

Ordering Information

Code Vessel Class	Code Length (Nominal)	Code Connection Size	Code Standard	Code Cartridge	Code Seal	Code Vent	Code Drain
AT ATEX	K 5" (125 mm)	Y 1 1/2" (38.1 mm)	B BSPP (F)	C 226	E EPDM	B 1/4" BSPP (F)	B G 1/4" BSPP
CE Standard	1 10" (250 mm)	C 2" (50.8 mm)	D DIN11851 (M)		P* PTFE	C Rectus 21 Vertical ⁽²⁾	N G 1/4" NPT
HP* High Pressure	2 20" (500 mm)		F ANSI RF 150 ⁽¹⁾		S Silicone	H 1 1/2" TCF & Hosebarb ⁽²⁾	H Hosebarb
OX Oxygen Service	3 30" (750 mm)		H ANSI RF 300		V Viton	I 1 1/2" TCF & Staubli RBE03 ⁽²⁾	R Rectus 21
	4 40" (1000 mm)		L BS4504			M 1 1/2" TCF & 1/2" TCF ⁽²⁾	S Staubli RBE03
			N NPT (F)			N 1/2" NPT (F)	T 1/2" TCF
			M* SMS Pipe (3008)			R 1 1/2" TCF & Rectus 21 ⁽²⁾	
			T Tri-Clamp			S Staubli RBE03 Vertical	
			W ISO / BS Pipe			T 1 1/2" TCF Only ⁽²⁾	

Code Surface Finish	Internal	External
B Beverage	0.4 µm	0.25 µm
I Industrial	As Welded	0.8 µm
P Pharmaceutical	0.4 µm EP	0.25 µm

Code Tagged	Yes	No
T	Yes	No
X	No	Yes

For Tagged Options customer identification numbers required at time of ordering