

Hyperdrain

Condensate drains



Even the smallest amount of liquid condensate, if carried through the compressed air network, can cause serious damage to apparatus and processes. It is of paramount importance that all condensate is completely removed from the compressed air circuit. The condensate drain is a vital component in any compressed air system; its role is to guarantee an efficient removal of all the condensate and impurities present within the compressed air.

50 years experience has allowed Parker Hiross to develop Hyperdrain, designed to satisfy all customer requirements.

The range comprises zero-loss electronic capacitive drains, zero-loss mechanical float drains and timed drains. Hyperdrain can be used with all components in the compressed air system.



Contact Information:

Parker Hiross S.p.A.
Strada Zona Industriale 4
S. Angelo di Piove PD
Italy

Tel: +39 049 9712 217
Fax: +39 049 9701 911
Email: info@parker.com

www.dh-hiross.com

Product Features:

- No air loss
- No risk of condensate carry-over
- Low maintenance requirements
- Alarm signal

Philosophy

Parker Hiross specialises in cooling, purification, and separation technologies, where compressed air and gas purity, product quality, technological excellence and global support are paramount. We design and manufacture compressed air treatment products and cooling equipment for many key industries where ease of integration, low cost of ownership and energy saving can make the difference.

Parker Hiross has been supplying industry with high efficiency products with low lifetime costs and reduced CO₂ emissions since 1964. Our philosophy 'to stand out from the crowd' is our credo, encouraging our employees to achieve continuous improvement and satisfy customer expectations.



ENGINEERING YOUR SUCCESS.

HDF Zero-loss mechanical float drains



All the benefits, in three steps:

1 - Installation

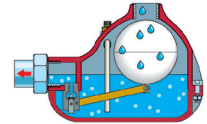
- No need for electrical wiring, as power supply is not required.
- No programming or calibration required, HDF is ready to use.
- Also available with an internal vent line.

2 - Maintenance

- Manual drain valve for system discharge and operational check fitted as standard.

3 - Use

- Large cross section outlet valve opening minimizes the chance of blockages for improved reliability.
- Low velocity condensate outlet ensures that no emulsion is created and supports installation of a static oil/water separator.



CDV Timed drains



The CDV timed drains automatically discharge the condensate following the set cycles:

- drain opening time set
- interval between each opening set

All the benefits, in three steps:

1 - Installation

- Compact dimensions and different voltages available.

2 - Maintenance

- Stainless steel strainer as standard, protects drain from impurities.
- Standard manual drain valve.

3 - Use

- Large condensate inlet & outlet ports prevent blockages.
- Forced drainage patterns ensures reliability, even in the presence of impurities.
- Compact, packaged design guarantee reliable operation even in the most demanding conditions
- Robust construction featuring a stainless steel and brass valve.

HDE-X Zero-loss electronic drains



- Magnetic core level control: guarantees zero compressed air losses and the reliability of operation thanks to the electronic control.
- Separate opening and closing sensors (HDE30X-50X): fewer working cycles and increased reliability.
- Integral dirt screen against impurities: contaminants which could damage the diaphragm valve

are trapped and an alarm activated when the filter is blocked.

- Works with all condensates (including impurities and oil).
- No contact between the electrical parts and the condensate.

All the benefits, in three steps:

1 - Installation

- Condensate inlet (4) rotates for easy top or rear inlet connection (from HDE20X).
- No programming or calibration required.
- Balance line inlet ((3), from HDE20X) for installation ease even in complex situations.

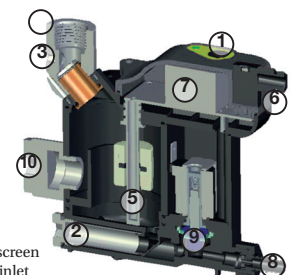
2 - Maintenance

- Easy drain access and easily removable electrical connector (7) simplify maintenance.

3 - Use

- Large cross section diaphragm valve (9) with pilot control improves reliability.

- Alarm lamp (5) warns the user if the condensate cannot be discharged, protecting the system from contamination.
- Standard volt-free alarm contact ((6), HDE30X-50X) allows remote monitoring.
- Special outlet flow regulator (8) to throttle condensate flow, ensures no emulsion is created and supports the oil/water separator installation.

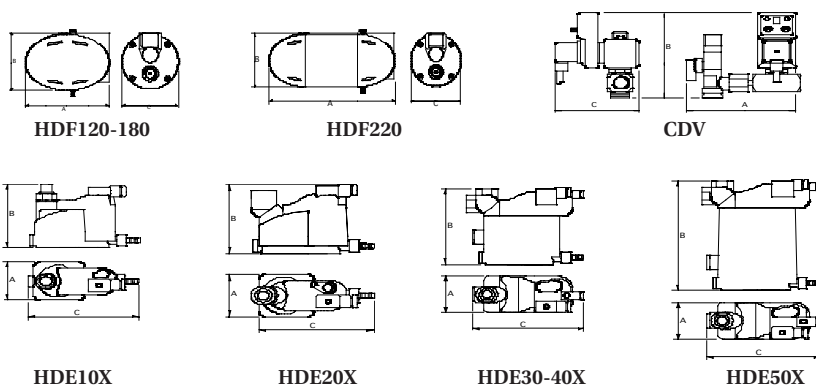


- 1) Alarm lamp
- 2) Integral dirt screen
- 3) Balance line inlet
- 4) Condensate inlet
- 5) Magnetic core level control
- 6) Volt free alarm contact
- 7) Electrical connector
- 8) Outlet flow regulator
- 9) Diaphragm valve
- 10) Bottom condensate inlet (from HDE30X)

Technical data

Model	construction materials			technical data						dimensions (mm)			weight (kg)
	body	float	lever	air/gas flow without dryer		connections		max p.	power supply	A	B	C	
				m ³ /h	m ³ /min	in	out	bar g					
External float drains (with built-in air vent)													
HDF120-A	alumin.	plastic	plastic	5.400	90	1/2"	1/2"	16	-	156	111	108	0,9
HDF180-A	alumin.	plastic	plastic	6.000	100	1"	1/2"	16	-	156	111	108	0,9
HDF220-A	alumin.	plastic	plastic	15.000	250	1"	1/2"	16	-	266	111	108	1,9
External float drains (without air vent)													
HDF120	alumin.	plastic	plastic	5.400	90	1/2"	1/2"	16	-	156	111	108	0,9
HDF180	alumin.	plastic	plastic	6.000	100	1"	1/2"	16	-	156	111	108	0,9
HDF220	alumin.	plastic	plastic	15.000	250	1"	1/2"	16	-	266	111	108	1,9
External float drains (NPT connection – with built in vent)													
HDF120/NPT-A	alumin.	plastic	plastic	5.400	90	1/2" NPT	1/2"	16	-	156	111	108	0,9
HDF180/NPT-A	alumin.	plastic	plastic	6.000	100	1" NPT	1/2"	16	-	156	111	108	0,9
HDF220/NPT-A	alumin.	plastic	plastic	15.000	250	1" NPT	1/2"	16	-	266	111	108	1,9
External float drains BioEnergy													
HDF220BE	alumin.	plastic/ st steel	plastic/ st steel	6.500	108	1"	1/2"	1	-	266	111	108	1,9
Timed drains													
CDV/24V	plastic / brass			9.000	150	1/2"	3/8"	16	24/1/50-60	90	110	90	0,7
CDV/115V	plastic / brass			9.000	150	1/2"	3/8"	16	115/1/50-60	90	110	90	0,7
CDV/230V	plastic / brass			9.000	150	1/2"	3/8"	16	230/1/50-60	90	110	90	0,7
CDV/50barg	plastic / brass			9.000	150	1/2"	1/8"	50	230/1/50-60	90	110	90	0,7
Electronic level sensing drains													
HDE10X	polyamide / aluminium			720*	12*	1 x G 1/2	G 3/8	16	115/1/50-60	67	110	146	0,5
HDE10X	polyamide / aluminium			720*	12*	1 x G 1/2	G 3/8	16	230/1/50-60	67	110	146	0,5
HDE20X	polyamide / aluminium			240	4	1 x G 1/2	G 3/8	16	115/1/50-60	67	101	139	0,6
HDE20X	polyamide / aluminium			240	4	1 x G 1/2	G 3/8	16	230/1/50-60	67	101	139	0,6
HDE30X	polyamide / aluminium			420	7	2 x G 1/2	G 3/8	16	115/1/50-60	67	122	164	1
HDE30X	polyamide / aluminium			420	7	2 x G 1/2	G 3/8	16	230/1/50-60	67	122	164	1
HDE40X	polyamide / aluminium			1.800	30	2 x G 1/2	G 3/8	16	115/1/50-60	67	137	164	1
HDE40X	polyamide / aluminium			1.800	30	2 x G 1/2	G 3/8	16	230/1/50-60	67	137	164	1
HDE50X	polyamide / aluminium			6.000	100	2 x G 1/2	G 3/8	16	115/1/50-60	67	197	164	2
HDE50X	polyamide / aluminium			6.000	100	2 x G 1/2	G 3/8	16	230/1/50-60	67	197	164	2

Performances refer to 35°C compressed air temperature, 25°C ambient temperature, 65% R.H., 3°C pressure dew point (calculations with refrigeration dryer), 7 barg working pressure. Figures for refrigeration dryer and filter assume adequate condensate removal upstream. If installed after the dryer, multiply the condensate drain air flow by 2; if installed after the filter, multiply the air flow by 6.



BULDRAIN-00-EN



FILCO, spol. s r.o.
Dvorská 464/103
CZ-503 11 Hradec Králové
tel.: +420 495 436 233
info@filco.cz,
www.filco.cz

Váš lokální distributor Parker